

USB Phone Recorder

USER'S QUICK GUIDE

SUSB-1

Package Contents

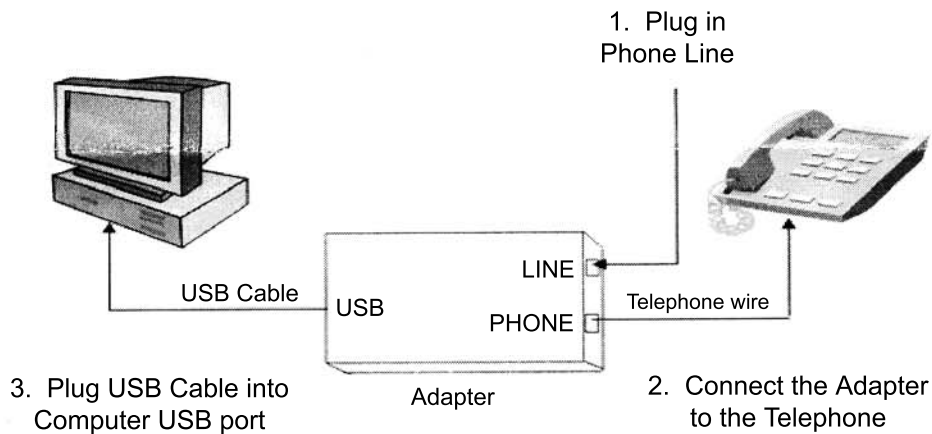
Check the contents of the package.

- 1) USB Recorder Adaptor
- 2) USB Cable
- 3) Telephone Wire
- 4) Software (CD ROM)

More detail, please refer to user's manual in the CD ROM: help.htm

Installation

Hardware Installation:



*When first time plug in the USB recording box, it will take the OS 5-10 minutes to automatically load the driver. When completed, restart your computer.

Software Installation:

1. Double click the **install.exe** in the CD.
2. Chose a destination hard driver, and then click the **Install** Button. The software will create **USBPhoneRecorderV2.0** folder in the destination hard driver.
3. To start using the system, Double click the **USBPhoneRecorderV2.0** folder in the destination hard driver.
4. Double-click on the **USBRecorder.exe**

How to read the LED:

After connecting the USB recorder adaptor to PC, LED will light for one second, then off. After running the software, the LED will light up when off-hook and ringing. The LED will remain off when there is no call. If phone line is disconnected from USB recording adaptor, the LED will flash.